

Drawing



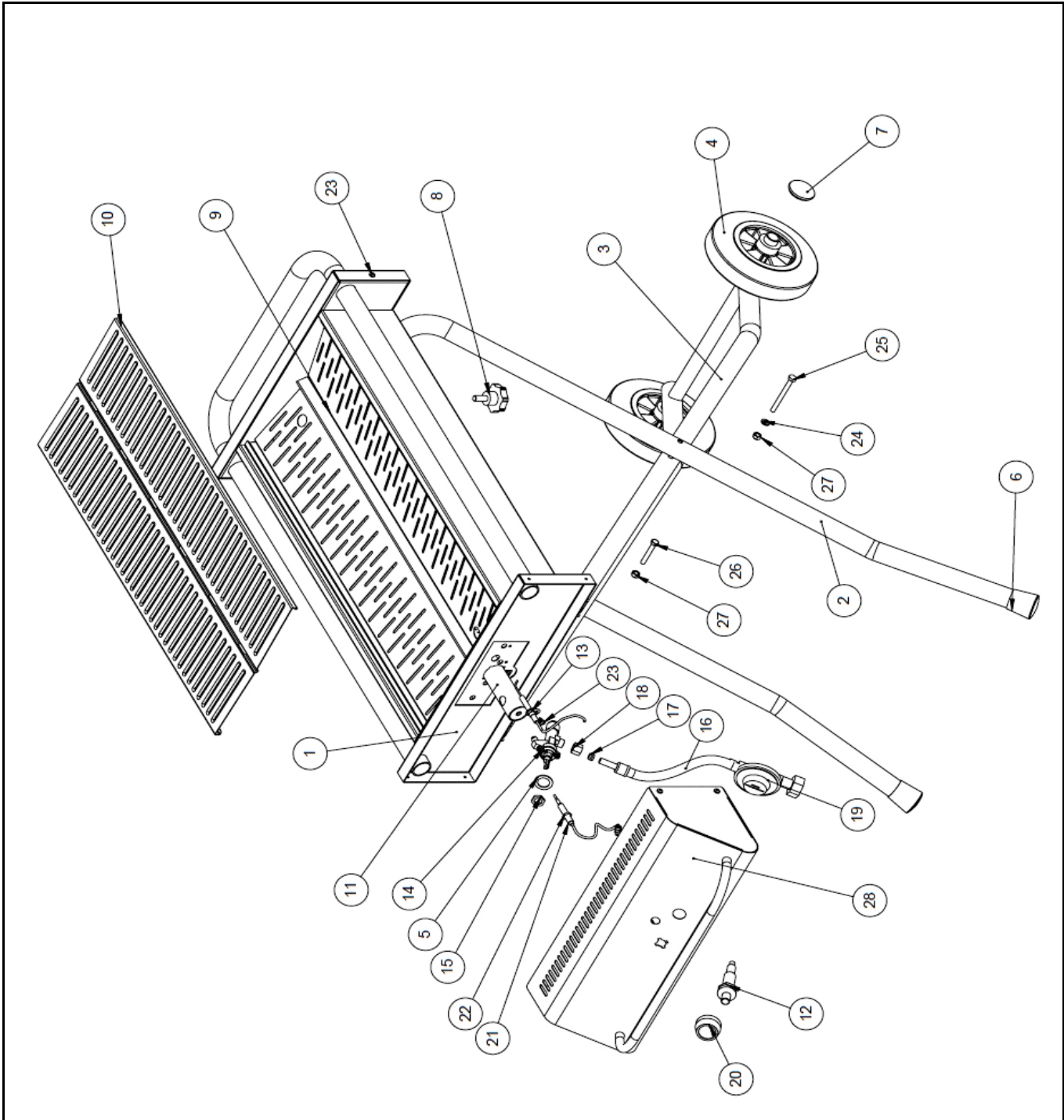
Hendi B.V.
Steenoven 21
3911 TX Rhenen
The Netherlands

Batch #
0000000


Appliance part#
148006

Description
Gas Barbecue "Xenon"

Date	07-06-2012	Revision #	Revision version
Revision	First bill of materials (BOM)		



Bill of materials (BOM)

 Hendi B.V. Steenoven 21 3911 TX Rhenen The Netherlands	Batch #	Appliance part#
	0000000	148006
	Description	
Gas Barbecue "Xenon"		

Date	07-06-2012	Revision #	Revision version
Revision	First bill of materials (BOM)		

Item	Description	Part#	Quantity	Remark	Picture
1	Frame	n/a	1		
2	Tube frame	n/a	1		
3	Tube frame	n/a	1		
4	Wheel 100x30	148747	2		
5	Washer	n/a	1		
6	Plastic cap 28mm	148730	2		
7	Cover/holder	150955	2		
8	Bolt M8x20	145128	1		
9	Flame diffuser	148068	1		
10	Griddle	148709	1		
11	Gas burner (xenon)	148044	1		
12	Piezo igniter	153178	1	Incl. nut	
13	Electrode with wiring	145654	1		
14	Gas valve	145685	1	Incl item 15	
15	Nut M12x1	nss	1	Available as 145685	
16	Hose assembly	152171	1		
17	Cutting ring	nss	1	Available as 152089	
18	Nut M12x1	152089	1	Incl item 17	
19a	Regulator 50mBar	152157	1		
19b	Regulator 37mBar	152188	1		
19c	Regulator 37mBar UK	153161	1	*Note Only for United Kingdom	
20	Knob	152591	1		
21	Thermo couple	152195	1	Incl 2 pcs of item 22	
22	Nut M8x1	nss	2	Available as 152195	
23	Sheet metal screw	n/a	8		
24	Washer M6	n/a	2		
25	Bolt M6x65mm	n/a	2		
26	Bolt M6x40	n/a	2		
27	Locknut M6	n/a	4		
28	Display cover	n/a	1		

n/a -> not available

nss -> not sold separately