

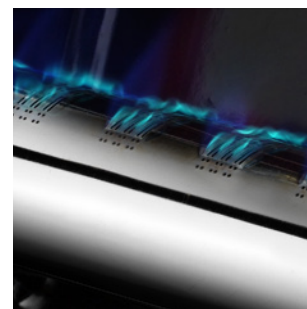
Calorama FB 5500

The CALORAMA Balanced-Flow (BF) gas Radiators family stems from the need to have a high-quality, easy-to-use and elegant heating system which fits to any room where high power is required. All targets were fully met, as demonstrated by our customers' appreciation for the CALORAMA products. Like the other fixed-installation models, the CALORAMA products need a Methane gas/LPG cylinder network and should be installed and commissioned by a qualified technician.



Technical features

CALORAMA FB is the answer to any need of high heating power at reduced costs. Effortless installation: just connect it to the outside of the room through an opening and the heater will guarantee a healthy and high-performance heating. Through the exhaust pipe, the Sealed Chamber discharges to the outside all combustion fumes. Combustion is performed by a resistant stainless steel Burner which supplies 5500 Watt. It does not need power supply.



Calorama FB 5500 cod. 190

BAR CODE: 8015937121904

Gas Data	Feeding	-	METHANE
	Gas cylinder	[kg]	-
	Gas power delivered	[W]	1400 to 5500
	Consumption	[m ³ /h]	0.52
	Gas heatable volume	[m ³]	119
Electrical Data	Switching on	-	Piezoelectric
	Ventilation	-	-
	Thermo-ventilation	-	-
	Electric power delivered	[W]	-
	Electric heatable volume	[m ³]	-
Sizes and weights	Product size	[cm]	70 x 18 x 59
	Cylinder compart. size	[cm]	-
	Packaging size	[cm]	92 x 21 x 62
	Weight	[kg]	20
	Quantity 40 HC	no.	-
	Quantity 20 HC	no.	-
	EPAL size 25 pcs	[cm]	-
No. of 40-foot pallets	no.	-	
No. of pallets in the truck	no.	-	

Safety and quality

1 - Heat exchanger

CALORAMA FB is equipped with a Heat exchanger which features an intelligent "fumes circuit ash box". Thanks to the flow-breaker flanges, the turbulences of warm fumes are increased and the heat exchange optimised. The intake system of cold air from the outside, by means of the coaxial and exhaust pipes, recovers the remaining heat. This process ensures that the system operates at the highest performances.

2 - Thermocouple

Safety device which automatically stops the gas supply in case of accidental shut-down (air stream, etc.).

3 - Materials

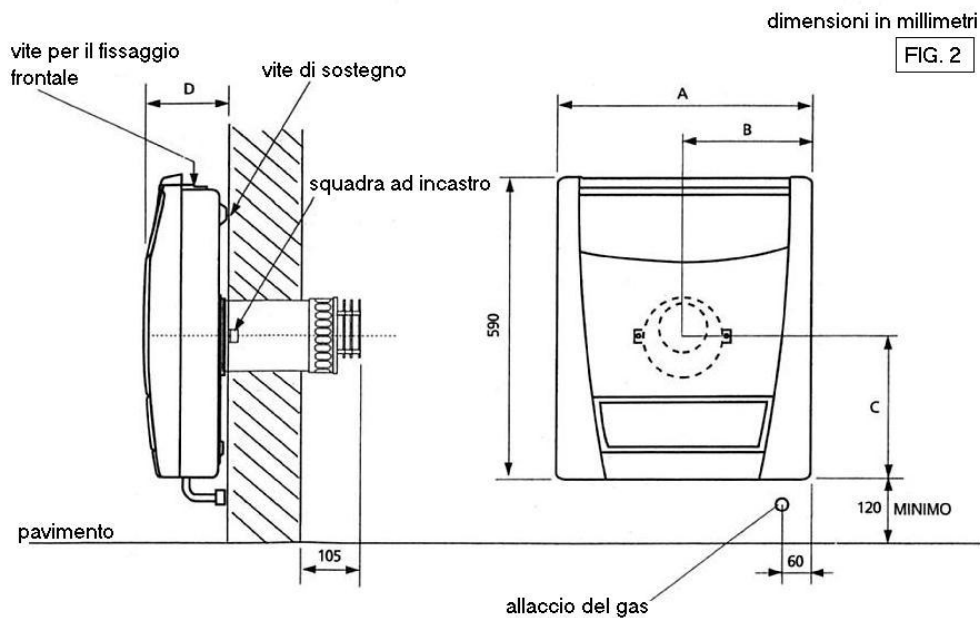
High-quality materials: Top die casting, Honey comb enamelled at 900°C. Cover with powder painting.



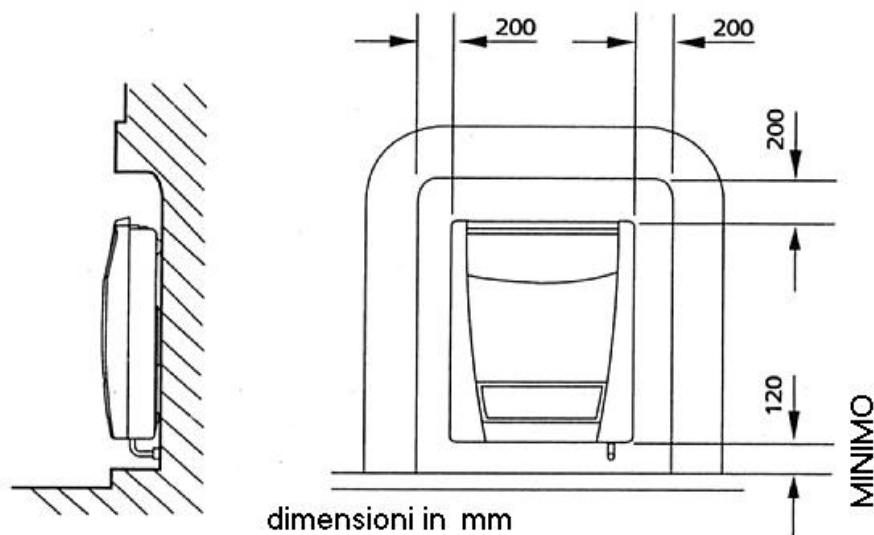
Installation instructions, dimensional data of the device and gas connections

All fixed-installation gas heaters should be installed and tested by a qualified technician.

(Combustion fumes – Outside air – Front fixing screw – Support screw – Quick- fix square - Floor – Gas connection - Minimum - Sizes in millimetres)



A [mm]	B [mm]	C [mm]	D [mm]
700	350	277	180



(Sizes in mm – MINIMUM)

Draught pipe diameters		
Pipe Ø [mm]	Ø of the hole on the wall [mm]	Wall thickness [mm]
175	185	300 (500*)

(500*) con tubo di scarico non in dotazione, da richiedere separatamente.